

AW.10.52

S H
2500 x 1200
2500 x 1450

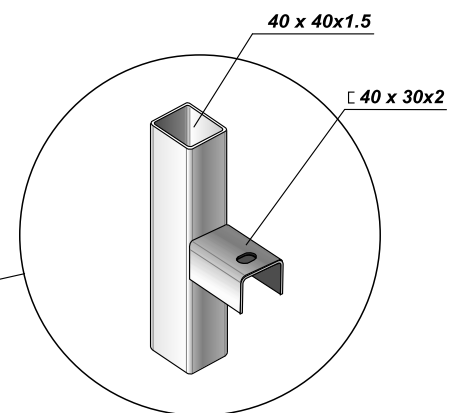
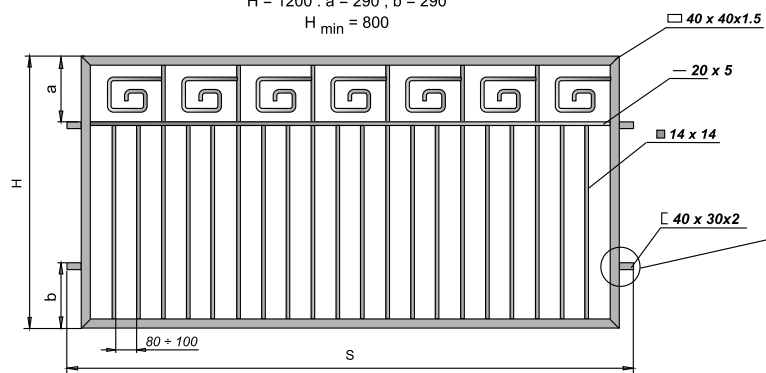
kg 67
78

max. 3000 x 1750

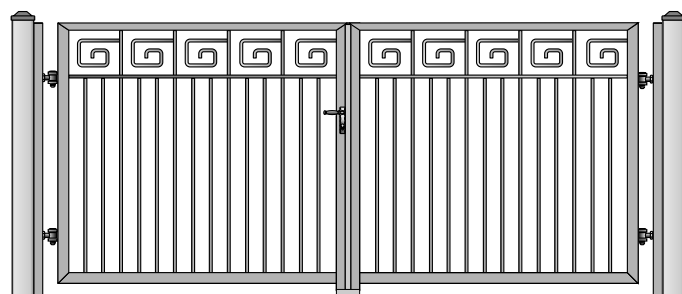
System

Lux

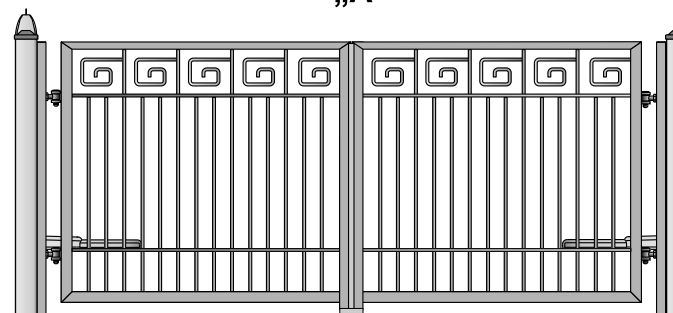
H = 1450 : a = 290 , b = 290
H = 1200 : a = 290 , b = 290
H_{min} = 800

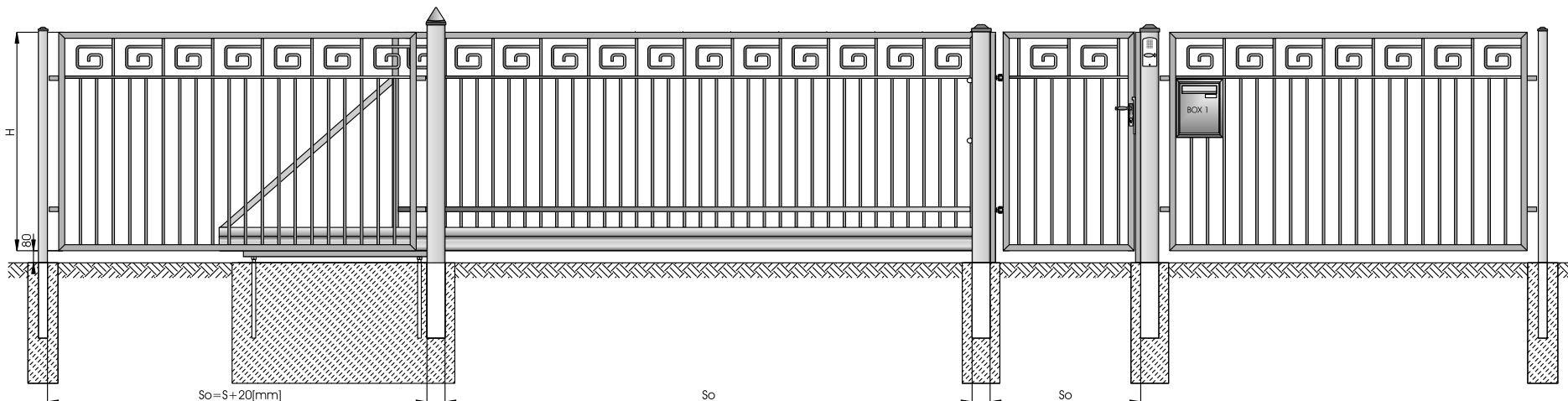


„R”

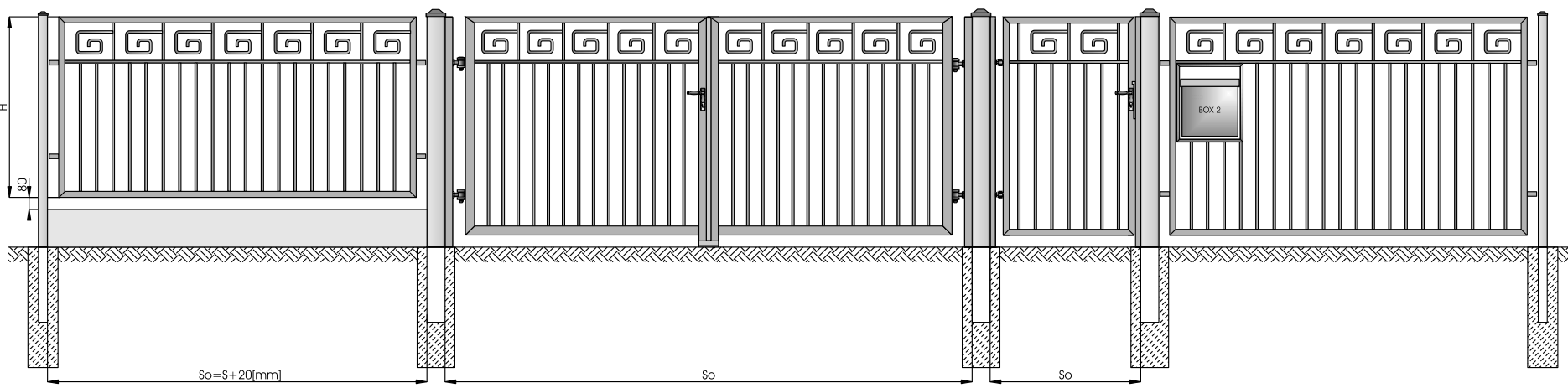


„A”





System Lux
RYS. L10.52P



System Lux
RYS. L10.52D

