

AW.10.56/Wp

S	H	kg	79
2500 x 1200	2500 x 1450		90

System Lux

max. 3000 x 1750

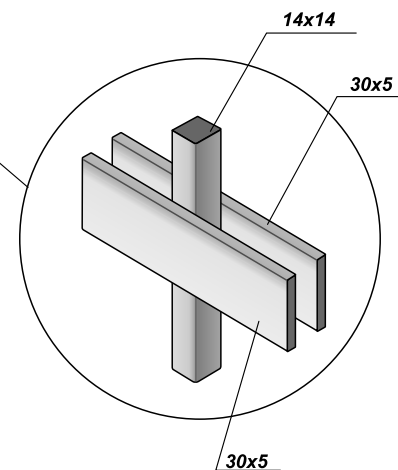
H = 1450 : a = 370, b = 290, c = 150
 H = 1200 : a = 420, b = 100 + 290, c = 150
 H_{min} = 1150

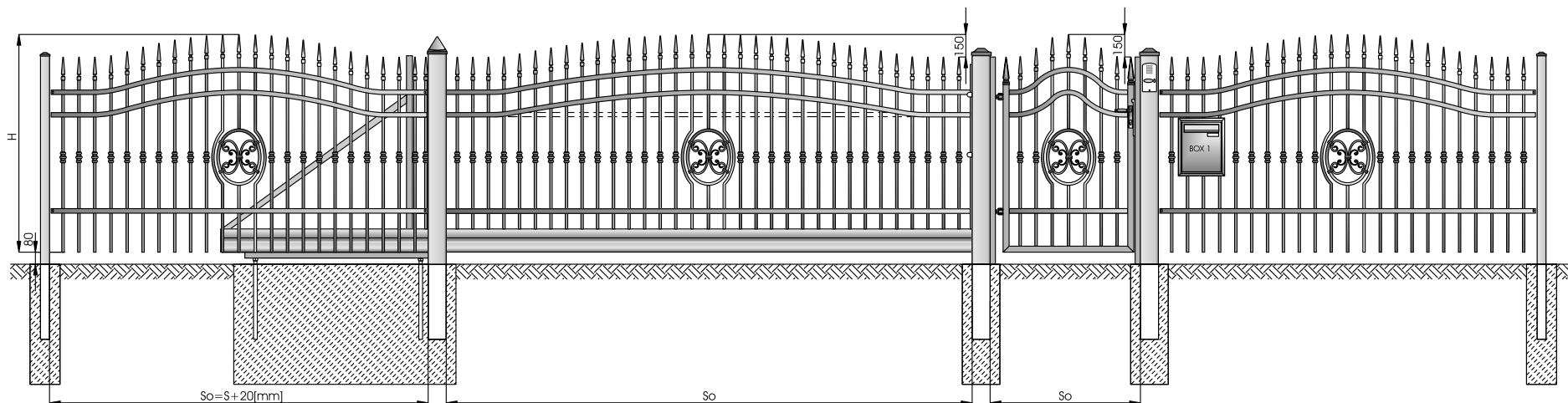
AW.10.56/P

System Lux

max. 3000 x 1750

H = 1450 : a = 220, b = 290
 H = 1200 : a = 220, b = 100 + 290
 H_{min} = 1000

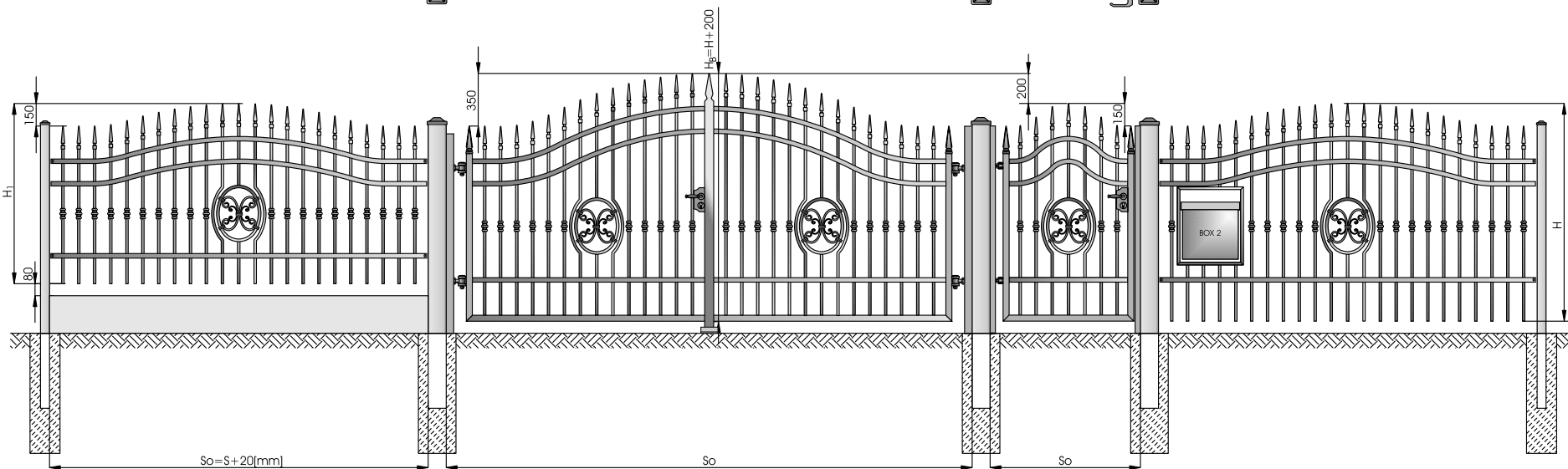




System

Lux

RYS. L10.56P



System

Lux

RYS. L10.56D

