

AW.10.58/Wp

S H
2500 x 1200
2500 x 1450

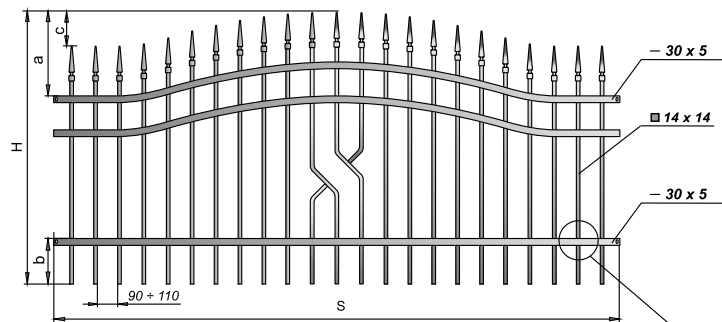
kg 69
79

System

Lux

max. 3000 x 1750

H = 1450 : a = 370, b = 290, c = 150
H = 1200 : a = 420, b = 100 + 290, c = 150
H_{min} = 1150



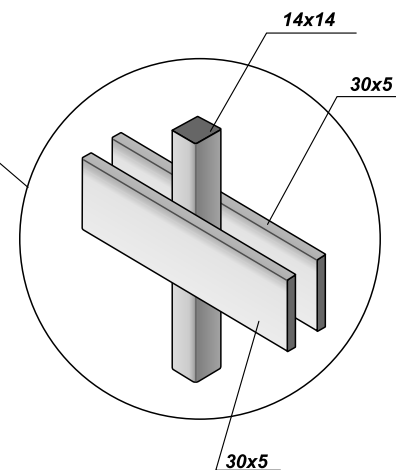
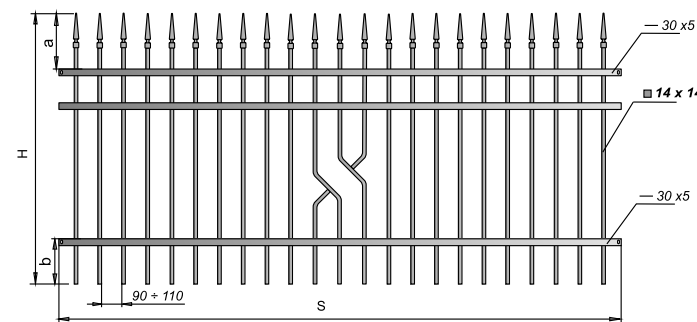
AW.10.58/P

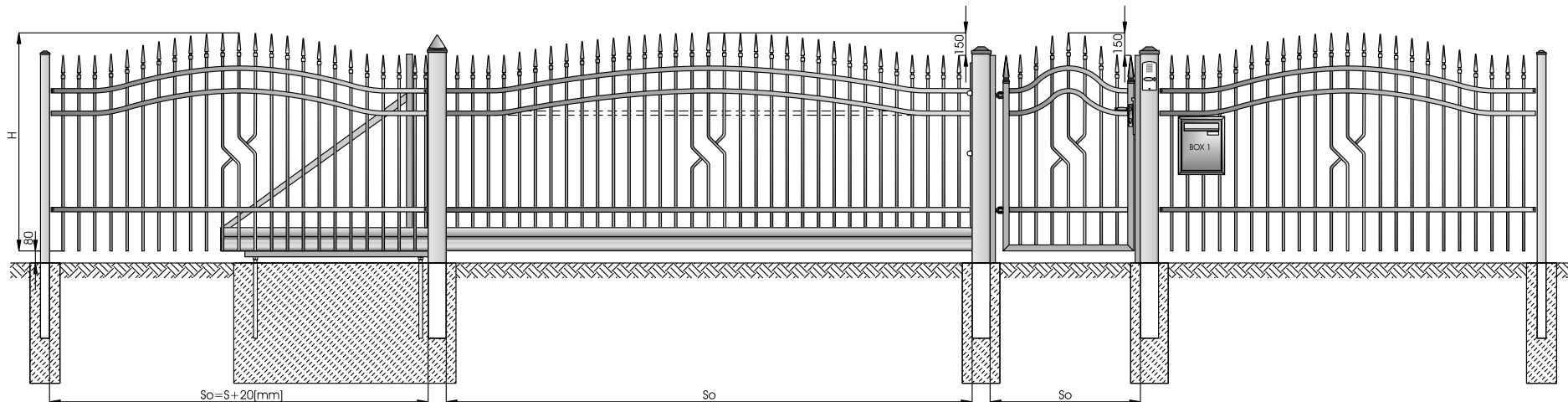
System

Lux

max. 3000 x 1750

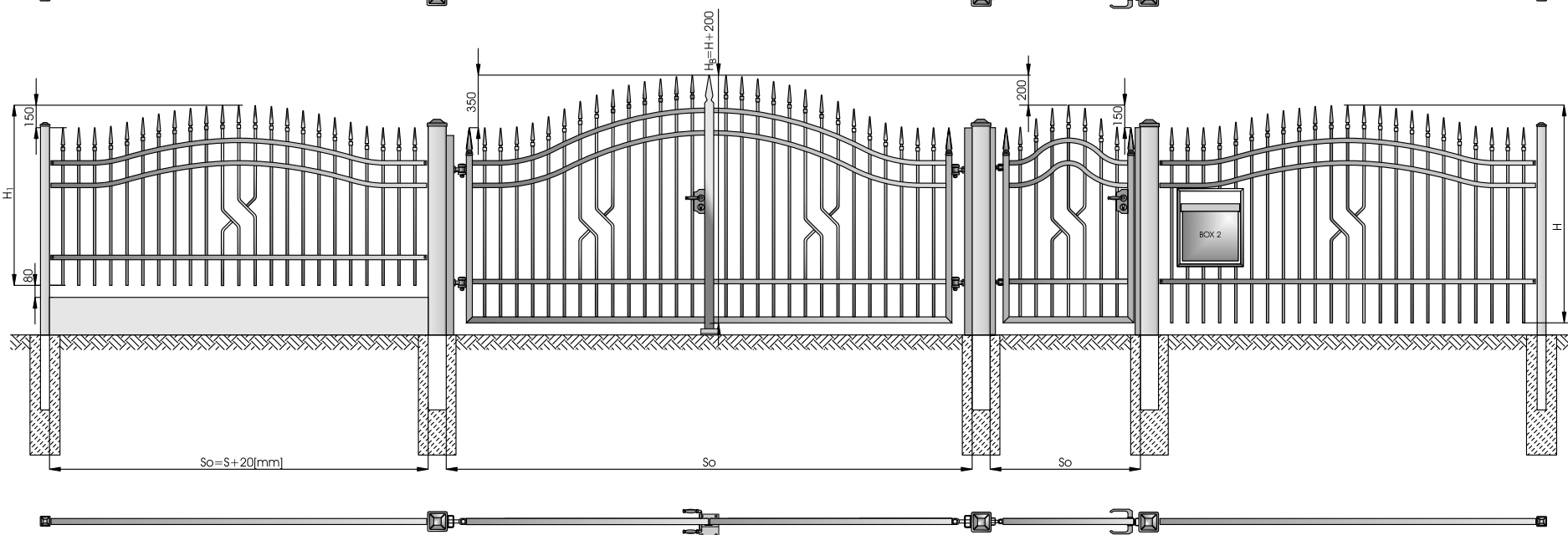
H = 1450 : a = 220, b = 290
H = 1200 : a = 220, b = 100 + 290
H_{min} = 1000





System Lux

RYS. L10.58P



System Lux

RYS. L10.58D